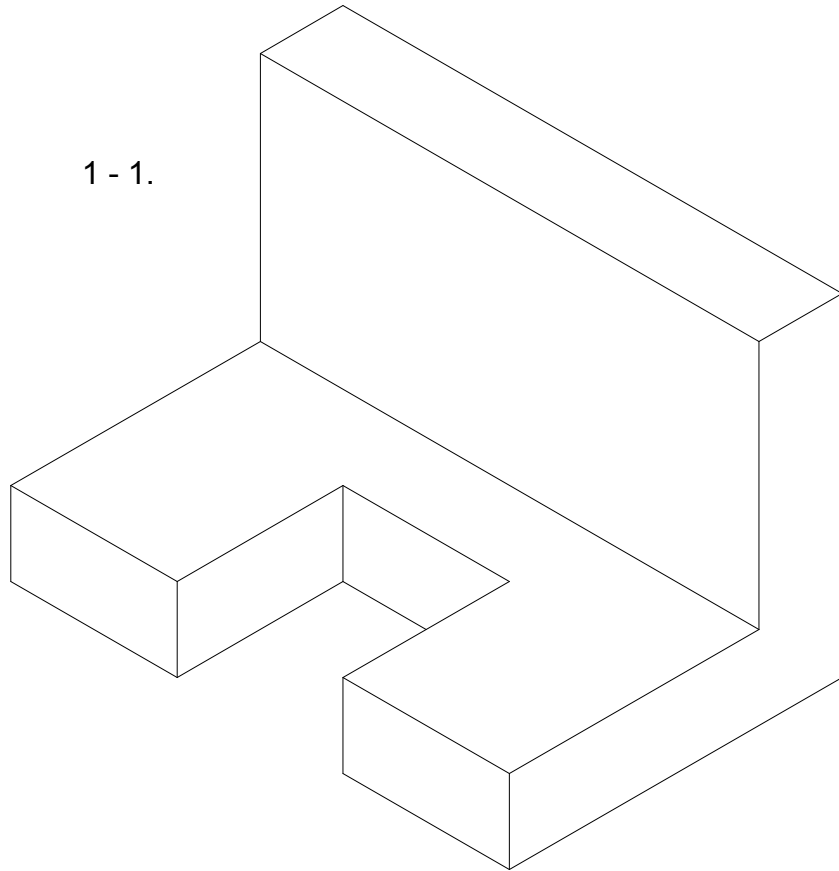
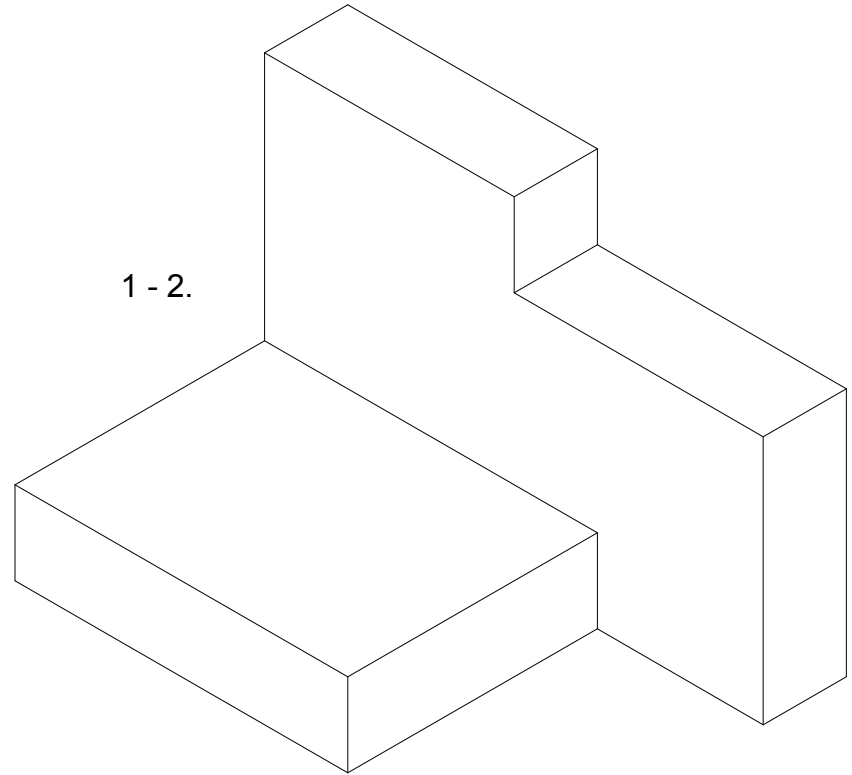


1 - 1.



1 - 2.



**STEVENSON HIGH SCHOOL**  
TECHNOLOGY EDUCATION DEPARTMENT  
TECHNICAL DRAWING PROGRAM

DRN BY: Jeremy Diamond

DATE:

SCALE:

1

1